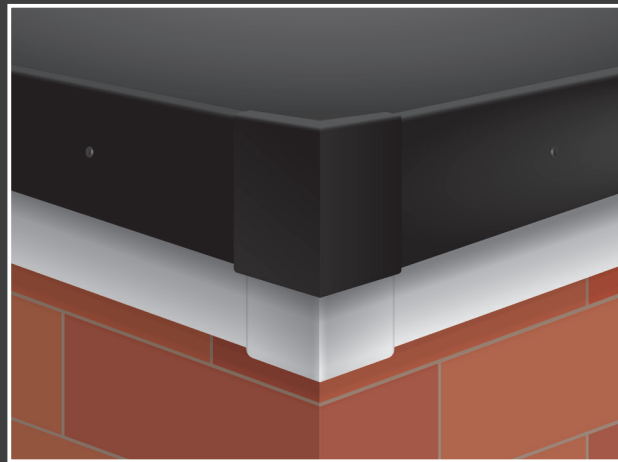


What good looks like

Installed correctly, Raised Kerb Trim External Corners deliver a smart finish and long-term protection from the elements.



Integra Trim components are designed and manufactured for quick and easy installation.

In this guide, you'll learn how to prepare your project site and correctly install each Integra Trim component.

How to install Integra Trim Raised Kerb Trim External Corners

Follow the steps in this guide to correctly use corner components to join two lengths of Integra Trim Raised Kerb Trim where they meet on an external right angle.

Preparing for flat roof success

Make sure the Integra Trim Raised Kerb Trim External Corner components to be installed are clean, dry and free from dust and contaminants. Make sure to have the correct (and required quantities of) materials and tools, as listed below.

Materials required

- Integra Trim Raised Kerb Trim External Corners
- Superglue
- uPVC superglue activator

No tools required



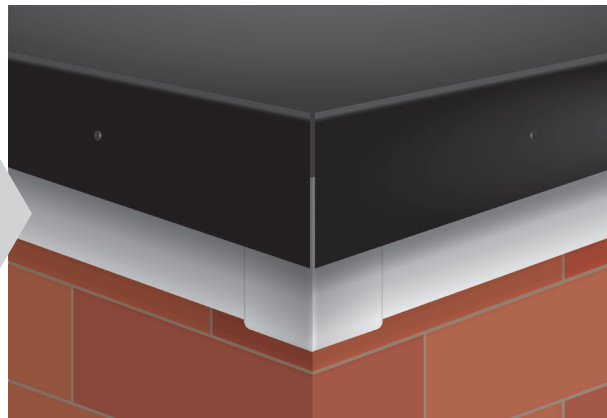
Top Tips...

"Each Raised Kerb Trim External Corner is moulded with removable left and right corner backing plates - make sure both are present and carefully remove the correct one(s) as required."

Step by step instructions to install Raised Kerb Trim External Corners

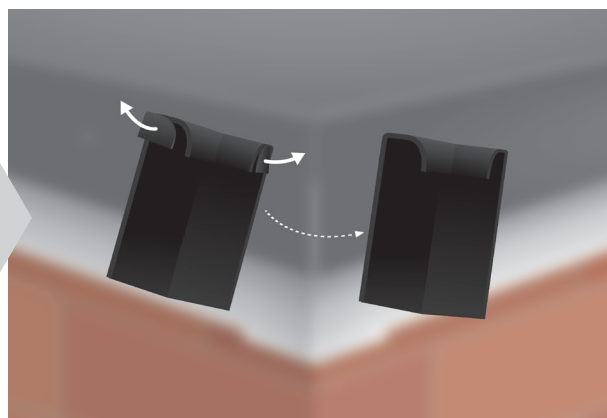
Step 1

Create an effective corner (ready for Raised Kerb Trim External Corners to be fitted) by butt-joining two lengths of Raised Kerb Trim where they meet at an external right angle. Make sure to leave a 4mm expansion gap.



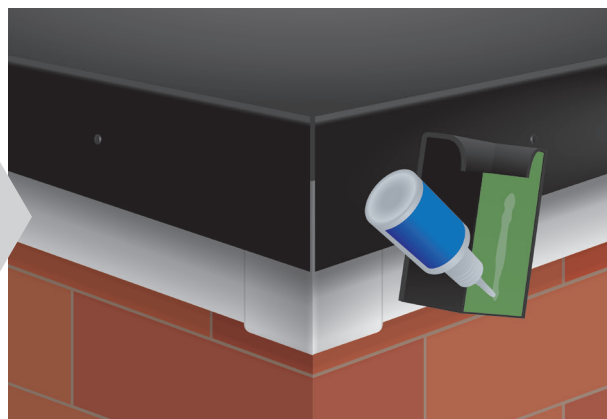
Step 2

Carefully 'snap-out' both corner backing plate pieces by lifting them up and out of the component. (Only snap-out the Raised Kerb Trim side of the component if joining Raised Kerb Trim to Gutter Trim at the external corner. See **Bonus Step** below.)



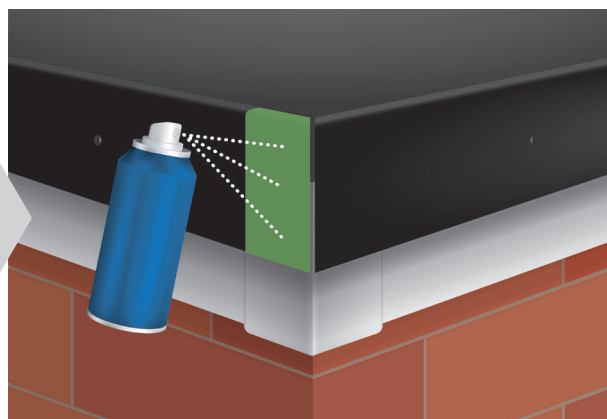
Step 3

Apply superglue to ONE inside edge of the Raised Kerb Trim External Corner component. (Only one side is superglued to allow for any expansion of the joined lengths of Raised Kerb Trim.)



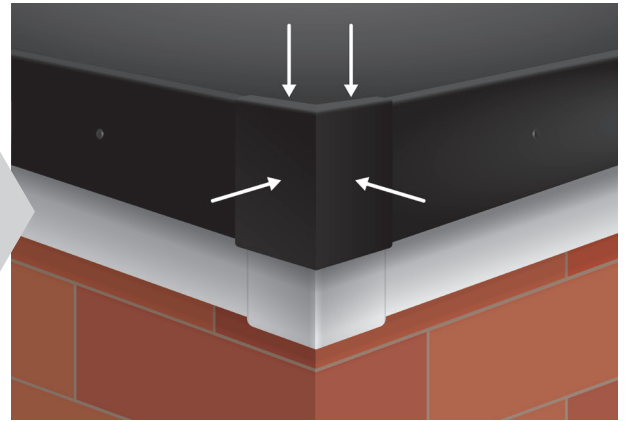
Step 4

Apply uPVC superglue activator to the Raised Kerb Trim corner area where the superglued inside edge of the Raised Kerb Trim External Corner component is to be affixed.



Step 5

Firmly press the External Corner component down and into the Raised Kerb Trim butt-joined corner and hold in place until adhesion is solid.

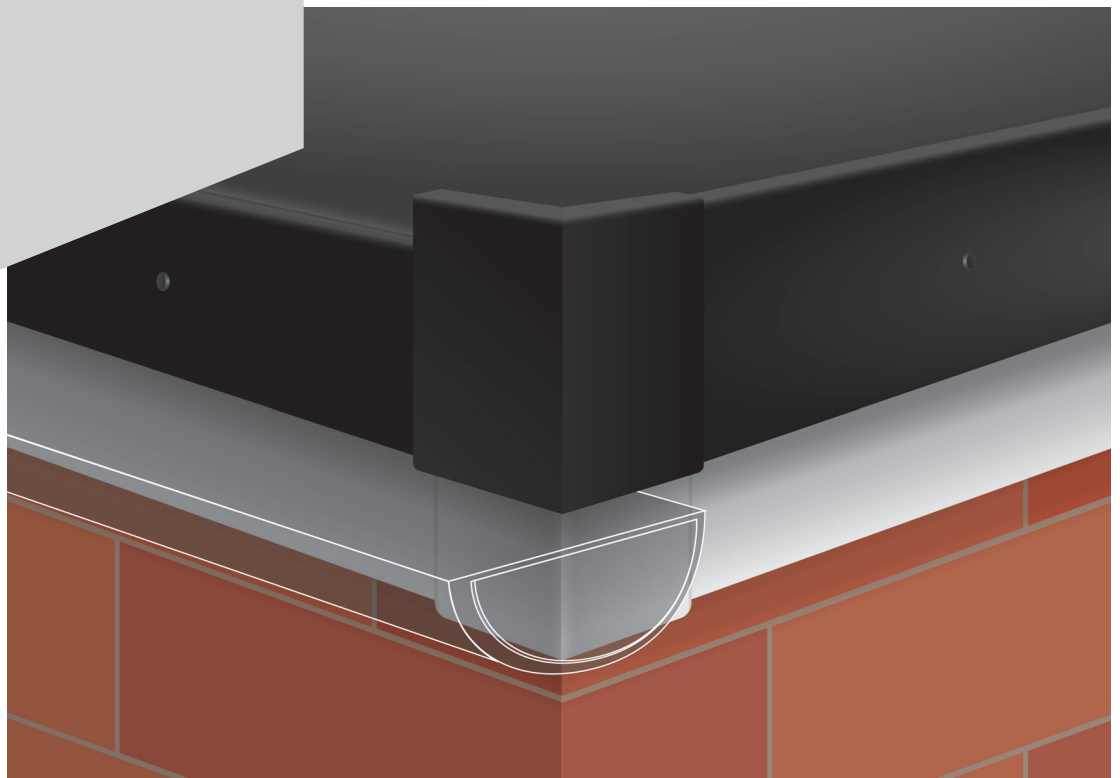
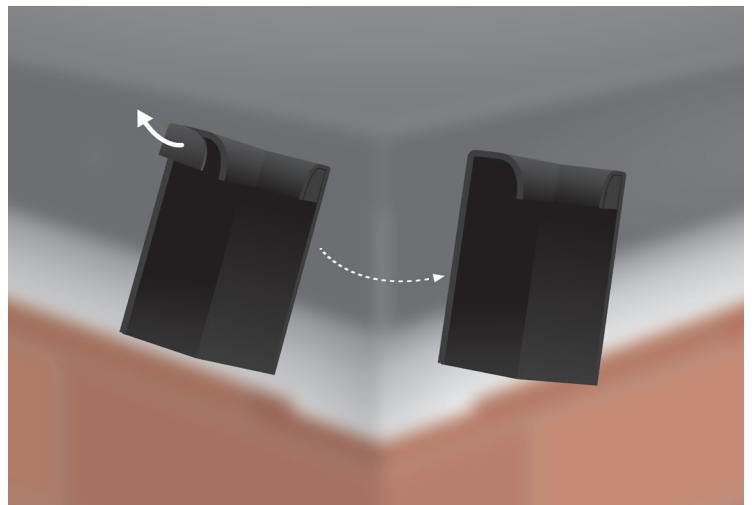


Bonus Step

How to join Integra Trim Raised Kerb Trim to Integra Trim Gutter Trim at an external corner.

Where Raised Kerb Trim meets Gutter Trim at an external corner, corner fittings incorporating both types of trim must be created.

Butt-join each length of trim as usual and use Raised Kerb Trim Corner components to join them following the steps above (making sure to only snap-out the Raised Kerb Trim side of the corner component).



Everything we do is focused on your flat roof project success.

From garages and garden rooms to extensions and large construction projects, FlexiProof EPDM membranes beautifully finish and protect flat roofs of all sizes.

Quickly and easily cold-applied, the complete FlexiProof flat roof system of EPDM membranes, edge trim components and specially-formulated adhesives enables installers, at all skill levels, to deliver outstanding results – every time!

Long term flat roof success.

Wind, rain or shine.

Together we've got it covered.



Contact : 01306 400801 E: info@flexiproof.co.uk W: flexiproof.co.uk

FlexiProof Flat Roof Systems, Rugge Farm, Horsham Road, Beare Green, Dorking RH5 4PT